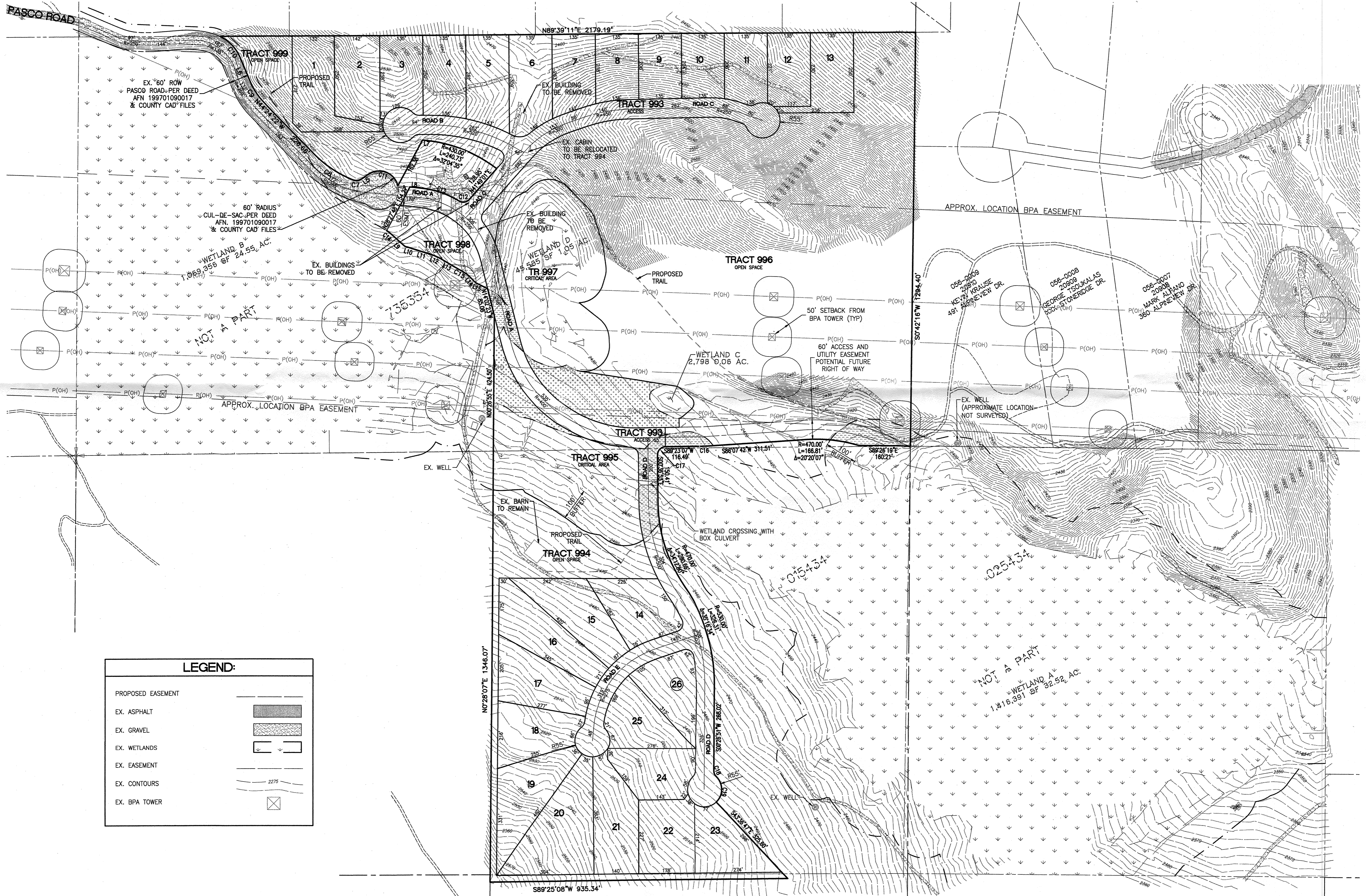
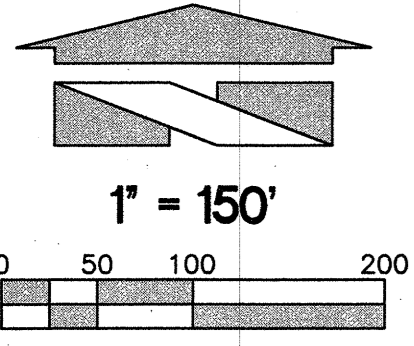


SITE PLAN
OF
MEADOW SPRINGS
A PORTION OF SECTIONS 01 AND 12, TOWNSHIP 19 N., RANGE 14 E., W.M.
KITITAS COUNTY, WASHINGTON



LEGEND:

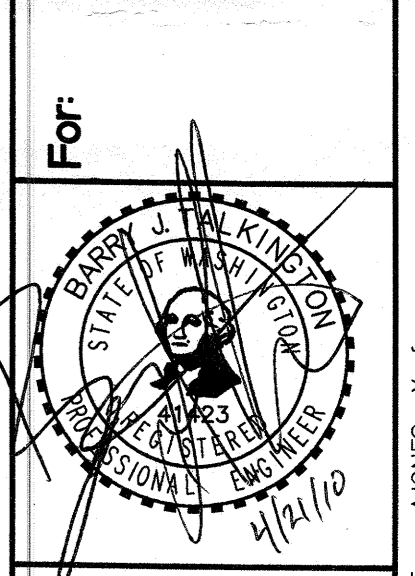
PROPOSED EASEMENT	
EX. ASPHALT	
EX. GRAVEL	
EX. WETLANDS	
EX. EASEMENT	
EX. CONTOURS	
EX. BPA TOWER	

2 4/21/10 AJ IH
 6/12/09 AJ IH
 10/09/07 AJ IH
 PLAT SUBMITTAL

REVISED PER COUNTY COMMENTS
 REVISED PER COUNTY COMMENT-LETTER-DATED 5/4/07

Title:
 SITE PLAN
 OF
MEADOW SPRINGS

MEADOW SPRINGS, LLC
 206 WEST FIRST ST.
 CLE ELUM, WA 98922



For:

Scale:	Horizontal	1" = 150'
	Vertical	N/A
Designed	JH	
Drawn	AJ	
Checked	JH	
Approved	JH	
Date	4/09/07	

18215 72ND AVENUE SOUTH
 KENT, WA 98032
 (425)251-6222
 (425)251-8782 FAX
 CIVIL ENGINEERING, LAND PLANNING,
 SURVEYING, ENVIRONMENTAL SERVICES



Job Number	12854
Sheet	2 of 2

File: P:\12000s\12854\preliminary\MEADOW SPRINGS\12854-pp-rs.dwg Date/Time: 4/21/2010 3:14 PM Scale: 1"=150' Xref: ADONES